

FT Pull Handles



SS = Satin stainless steel
 PS = Polished stainless steel
 SB = Satin brass
 PB = Polished brass
 BZ = Bronze
 KN = Knurled
 SAA = Satin anodised aluminium

.SS.Black = Black rubber Satin stainless steel
 .SB.Brown = Brown rubber Satin brass
 .SS.KN = Knurled finish on Stainless steel
 .SB.KN = Knurled finish on Satin brass

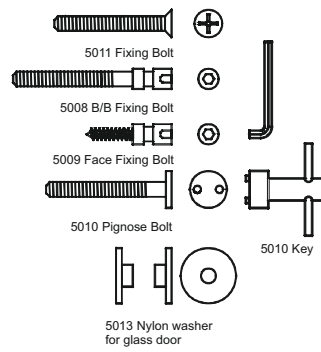
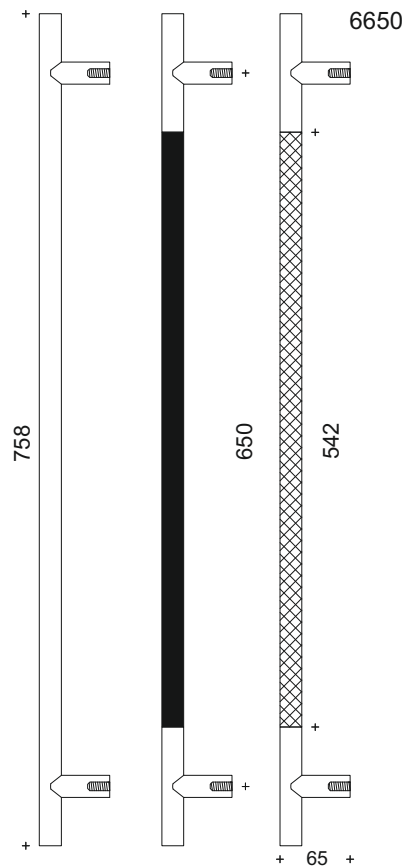
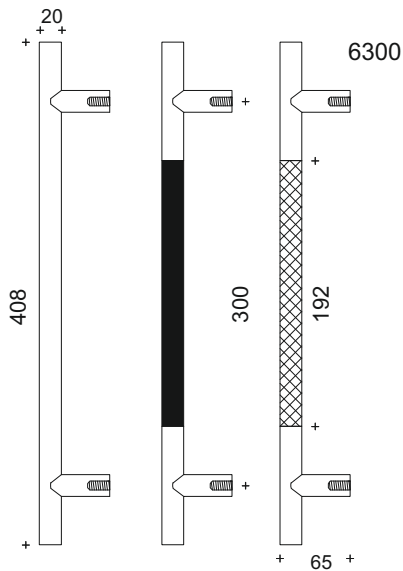
For confirmation on finishes please contact Trapex



See full details next page

Finishes : SS, PS, PB, BZ, SAA

FT Handles



Pole Handle Specification Examples
Code/Finish

: Pair of B to B fixing pull handle

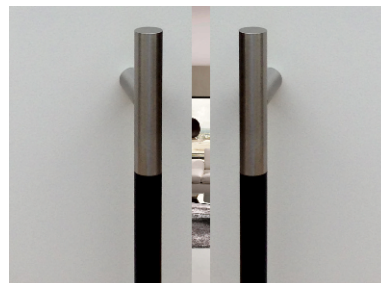
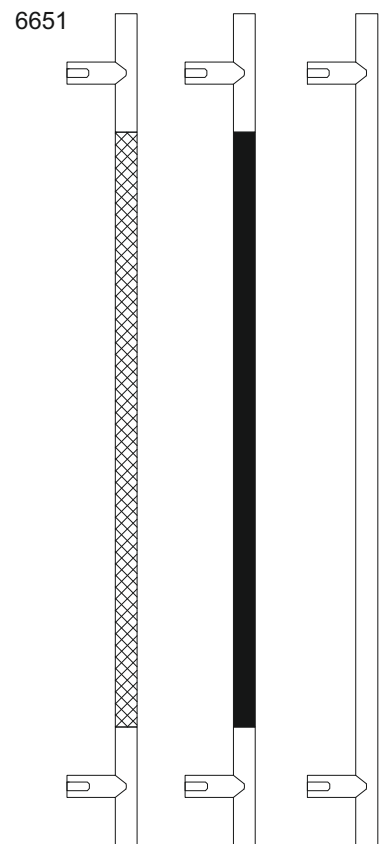
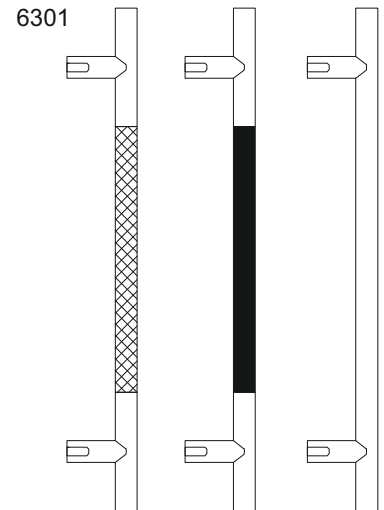
- 1 No FT.6650
- 1 No FT.6651
- 2 No 20.5008
- (1 No 5013 if glass door)

: Single bolt through pull handle

- 1 No FT.6300
- 2 No 20.5011
- (Alternative pig nose bolt 20.5010)

: Single face fixing pull handle

- 1 No FT.6301
- 2 No 20.5009



Code Illustration

FT.6650.SS = Satin stainless steel

Finishes : SS, PS, PB, BZ, SAA KN

FT.6650.SS.KN = Satin stainless steel Knurled
 FT.6650.SB.Brown = Satin brass brown rubber
 FT.6650.SS.Black = Satin stainless steel black rubber