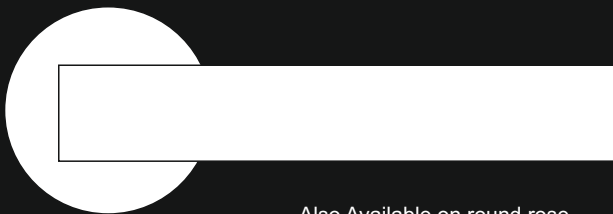


Flat bar pattern lever

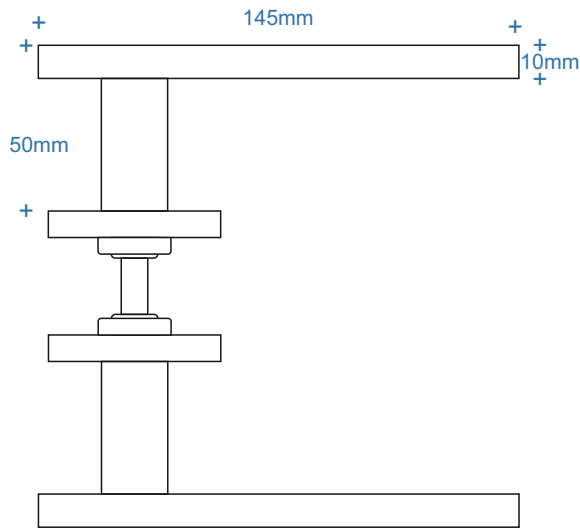


Also Available on round rose

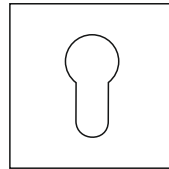


See full details next page

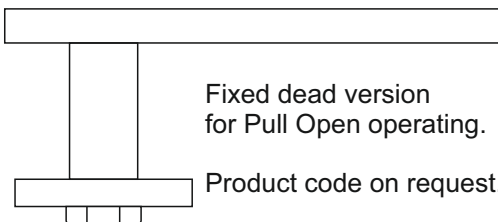
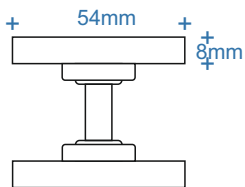
Finishes : SS, SAA



20 Range, satin nickel finish flat bar pattern lever handles on 54mm x 54mm concealed fixing roses incorporating our SL deep bearing system with locked threaded connection, bolt through fixings for 38-49mm door thickness, 8mm spindle



20.3013.SS escutcheons to suit



Fixed dead version  
for Pull Open operating.

Product code on request.



Code Illustration

20.2019.SS

Finishes : SS, SAA